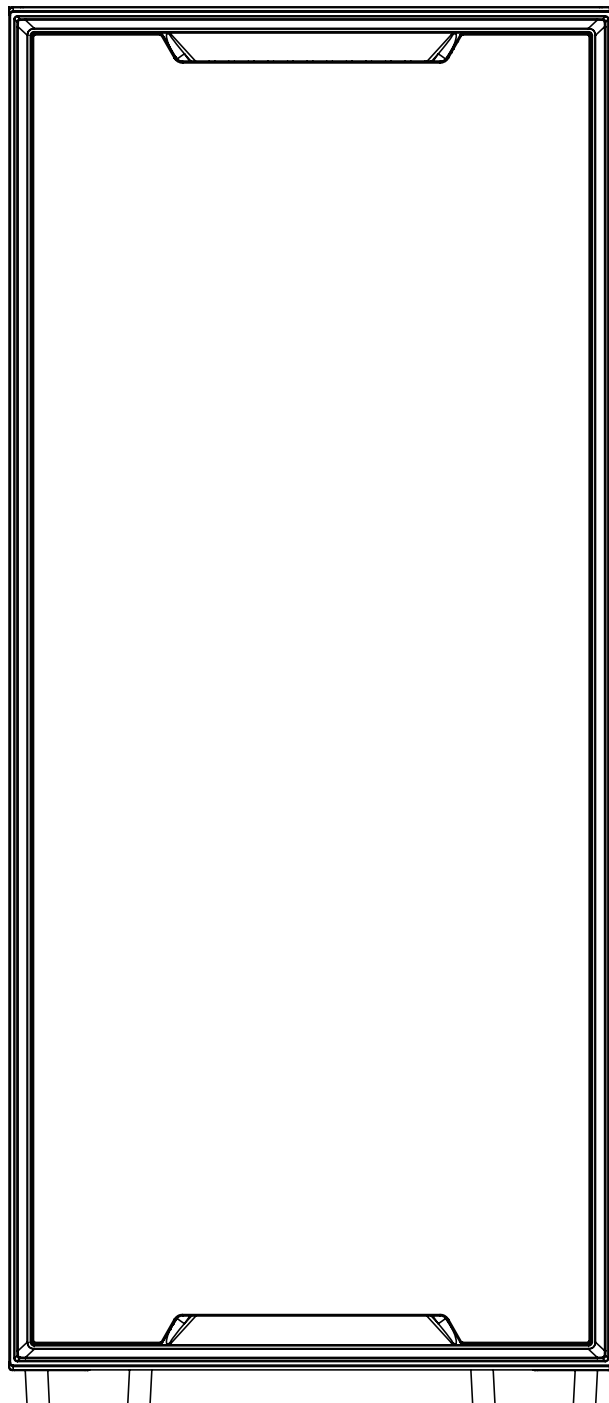
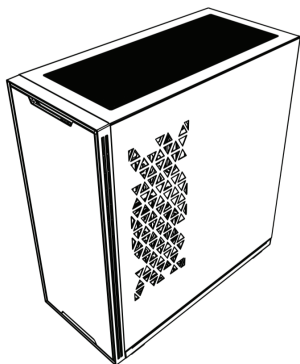


Ice

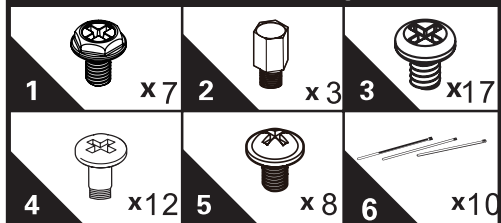
User / Installation Manual



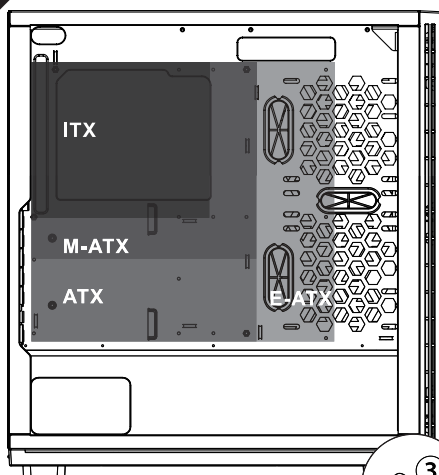


- A: Removal of the front and side panels
 B: Installation of the power supply (PSU)
 C: Installation of the motherboard
 D: Installation of fan(s) and/or radiator(s)
 E: Installation of 3.5" HDDs
 F: Installation of 2.5" HDDs or SSDs
 G: Installing PCI / PCI-e card(s) and removing the expansion slot covers

Accessory bag



C

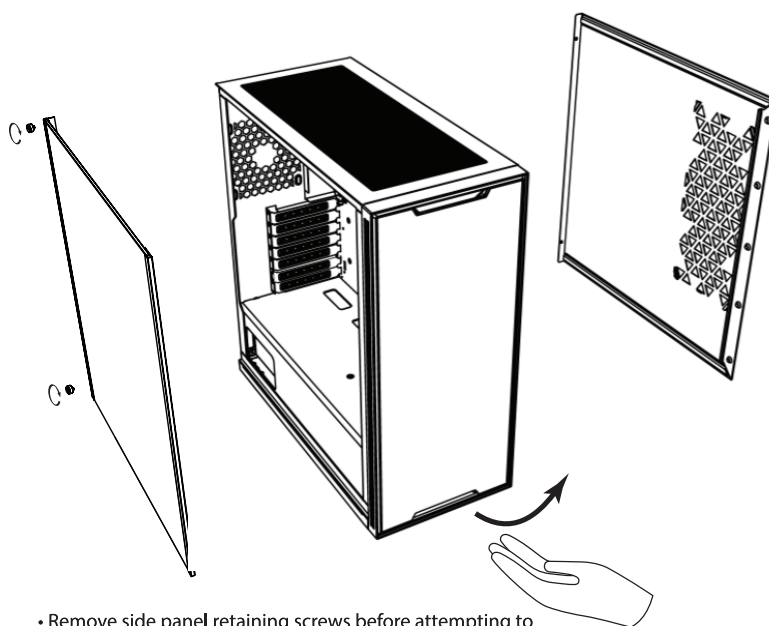


Install your board by ensuring the copper mounting points are situated at the correct position for your motherboard, and secure with mounting screws (No.3)

Note: Additional copper mounting points are provided if required.



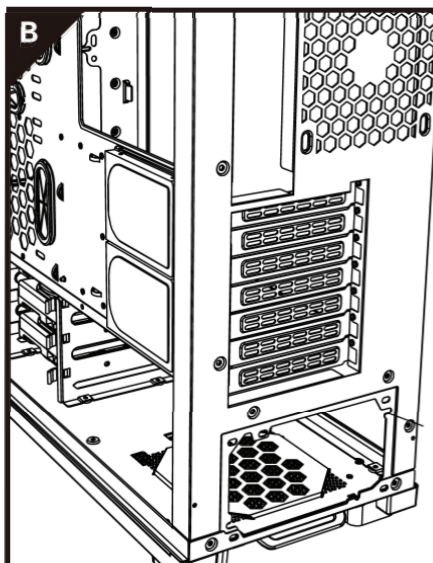
A



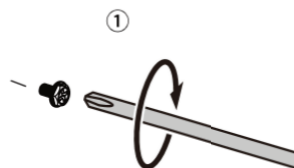
- Remove side panel retaining screws before attempting to remove panel.

- Remove both side panels before attempting to remove the front panel.

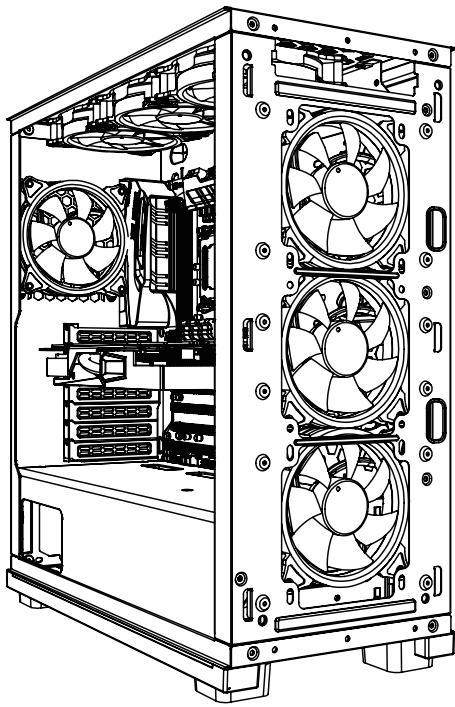
B



- Please ensure that the PSU intake or exhaust fan is positioned towards the ventilation holes (bottom) of the case.



D



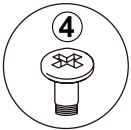
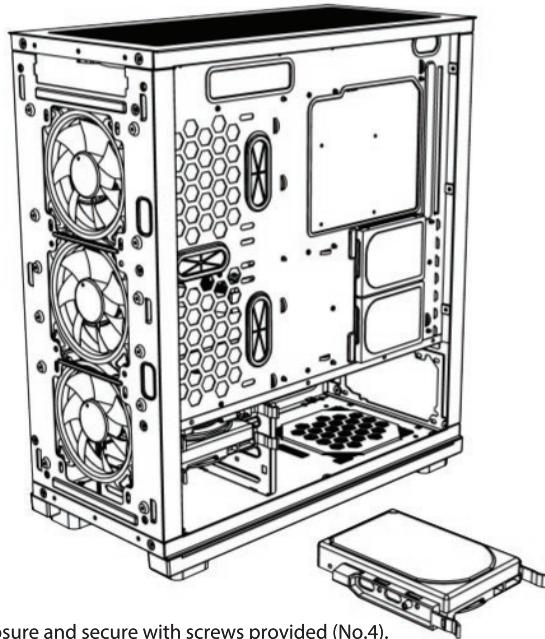
Air Cooling (Fans)

Position	Front	Top	Rear	PSU Shroud	M/B
120mm	3	3	1	/	2
140mm	2	2	/	/	/

Water Cooling

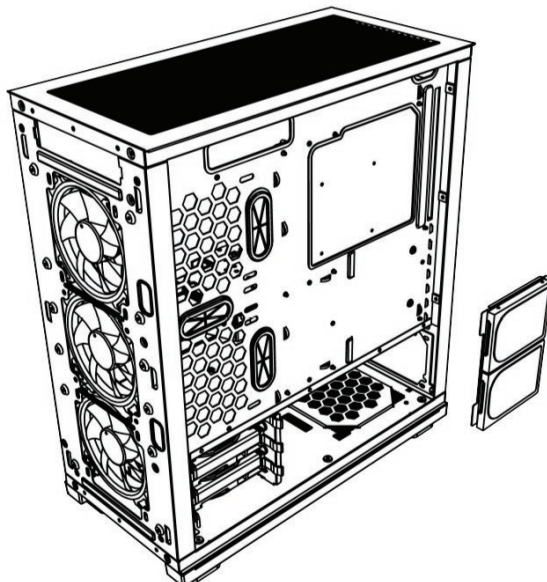
Position	Front	Top	Rear	PSU Shroud	M/B
120mm	✓	✓	✓	/	✓
240mm	✓	✓	/	/	✓
280mm	✓	✓	/	/	/
360mm	✓	✓	/	/	/

E

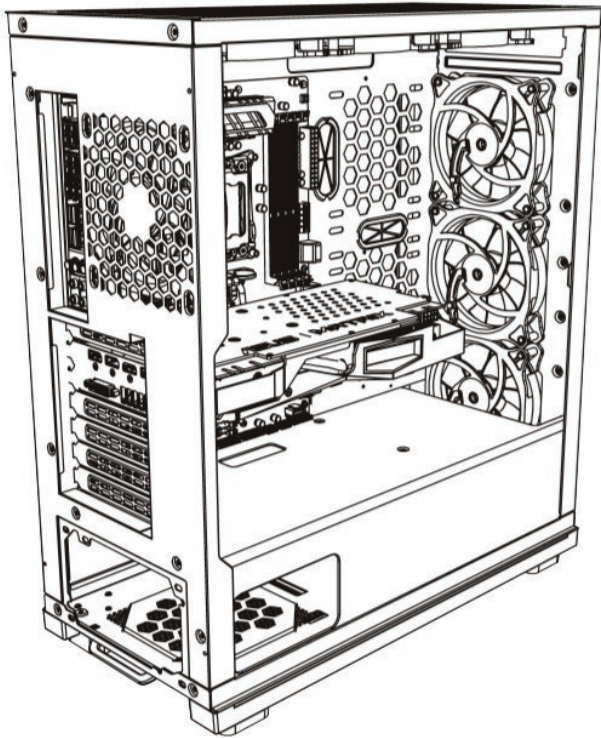


- Unscrew and remove HDD enclosure.
- Install first 3.5" HDD on the top of the enclosure and secure with screws provided (No.4).
- Install additional 3.5" HDD into additional enclosure(s).
- Insert enclosure into the case and secure with thumbscrews.

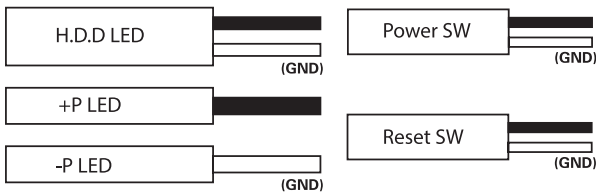
F



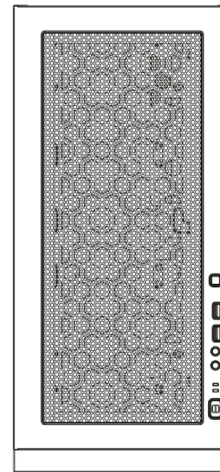
- Using the rubber and screws provided (No. 4) place underneath the SSD you want to install.
- Align the SSD and secure with thumbscrews.



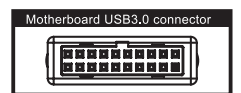
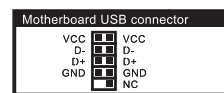
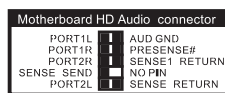
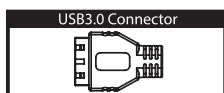
- Unscrew and remove the corresponding PCI expansion slot cover.
- Insert PCI / PCI-e card into your motherboard.
- Secure PCI / PCI-e card with screws provided (No.1).
- Adjust PCI / PCI-e card bracket to suit your card.



H.D.D LED - HDD LED
 +P & -P - Power LED
 Power SW - Power Switch
 Reset SW - Reset & LED Button



- — Reset (LED Button)
- — 2 x USB 3.0
- — Headphone & Mic
- — HDD LEDs
- — Power



Should you have any problems with your purchase, please contact your place of purchase. If they are unable to help, please visit www.gamemax.uk, and use the contact us section, using the applicable form. Please include the following: Product Model Number, Serial Number, Date of Purchase, Place of Purchase, Detailed Fault.

At the end of this products servicable life, DO NOT dispose of with household waste, please recycle where facilities exist. Check with your local authority for recycling advice.

†Specifications and information are subject to change without prior notice

